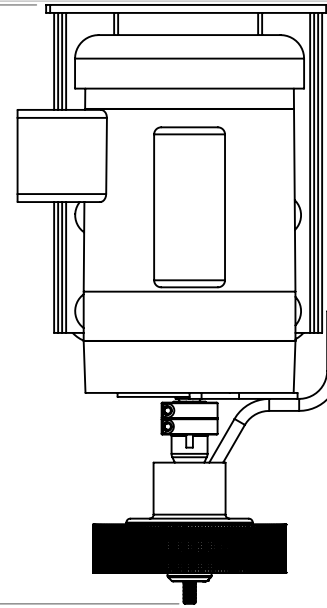


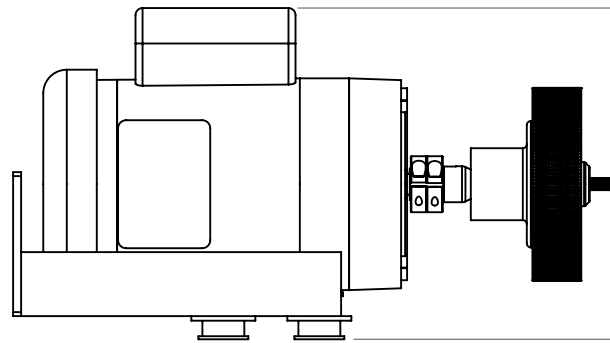
18.716
[475.38]



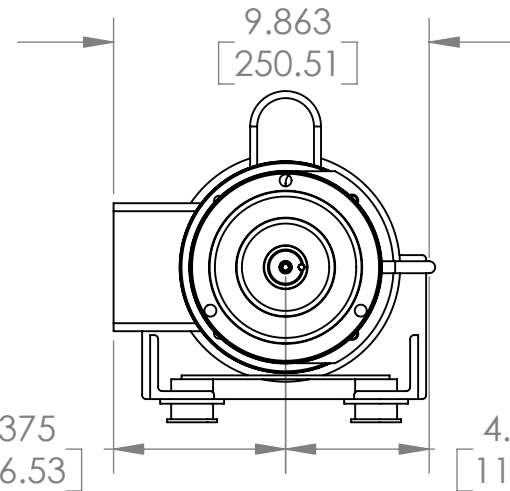
Mount holes shown below. Use 3/8-16 grade 8 or 10mm

0 [0] 3.250 [82.55] 6.500 [165.10]

Dual Units: inches/millimeters

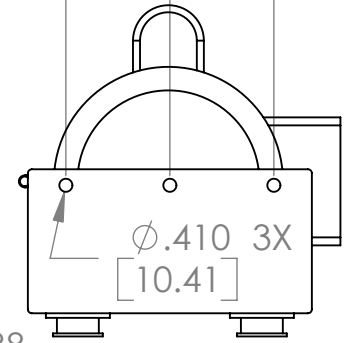


10.351
[262.92]



9.863
[250.51]

5.375
[136.53]



4.488
[113.99]

Ø.410 3X
[10.41]

PROPRIETARY AND CONFIDENTIAL
THE INFORMATION CONTAINED IN THIS DRAWING IS THE SOLE PROPERTY OF <INSERT COMPANY NAME HERE>. ANY REPRODUCTION IN PART OR AS A WHOLE WITHOUT THE WRITTEN PERMISSION OF <INSERT COMPANY NAME HERE> IS PROHIBITED.

		UNLESS OTHERWISE SPECIFIED:	NAME	DATE
		DIMENSIONS ARE IN INCHES	DRAWN	
		TOLERANCES:	CHECKED	
		FRACTIONAL ±	ENG APPR.	
		ANGULAR: MACH ± BEND ±	MFG APPR.	
		TWO PLACE DECIMAL ±	Q.A.	
		THREE PLACE DECIMAL ±	COMMENTS:	
		INTERPRET GEOMETRIC TOLERANCING PER:		
		MATERIAL		
NEXT ASSY	USED ON	FINISH		
APPLICATION		DO NOT SCALE DRAWING		

Ledebuhr Industries, Inc.

TITLE:
PT200-20-0200 Electric Atomizer w/6" basket

SIZE DWG. NO. REV
A PT200-20-0200

SCALE: 1:6 WEIGHT: SHEET 1 OF 1