



Proptec Fall “freshen-up” your sprayer sale! Act fast- sale runs now through January 31, 2010

Is your Proptec sprayer getting a bit tired, but you're not ready for a new one? Are you wondering if you can still get parts? Have you been looking at all the cool upgrades we've added over the years, but haven't wanted to spend the money? This is our first sale in 14 years, so **now** is the time to upgrade!

For a limited time, we are offering up to 30% off on select upgrade parts, and 15% off every sprayer service part that you purchase at the same time, during this sale! Sorry, sale does not apply to complete atomizers sprayers, or sprayer kits.

Take advantage of these upgrades **at 30% off regular price:**

Motors- *If your motors are older than 2003, seal kits are no longer available.*

Upgrade to our newest motor design with all-stainless hardware and Viton seals at a great price. Part number PT100-1200.

In-line Flow Fuses: Replace your pulsing, worn out 50:50 combiner safety valves with highly stable and reliable in-line flow fuses. Part number PT100-1304. *Two* flow fuses are *half the price* of a combiner valve- that's an upgrade! No plumbing changes required.

Shrouds: Upgrade to the new injection molded style- sleeker, stronger, and MUCH easier to clean! Part number PT100-0900.

Latches: Improved design holds front grate more securely and resists vibration and wear better. Part number PT100-1500.

Hubs: If you have white hubs, upgrade to the stronger more clog resistant black hubs. Same if you have white retaining rings or red blades- there's improved stuff out there! Complete blade and hub assembly: PT100-0100

Get 15% off all other parts ordered at the *same time*, including:

- Baskets
- Front grates
- Mounting bails
- Hydraulic filters
- Chem. filters
- Orifices
- Pump and other seals

To take advantage of this sale, print the attached form, fill in the blanks, and fax or give us a call:

MIDWEST: Thomas Brothers Toll-free: 866-214-6135 Fax: 269-657-2110, eddie2paws@verizon.net

SOUTHEAST: Curtec Phone 772-778-0056, fax 772-778-2629 email: curtec@bellsouth.net

All other locations, call either of the above or:

Ledebuhr Industries, Inc: Toll-free 866-641-4671 www.proptec.com

CUSTOMER: _____

ADDRESS _____

PHONE NUMBER _____ Email: _____

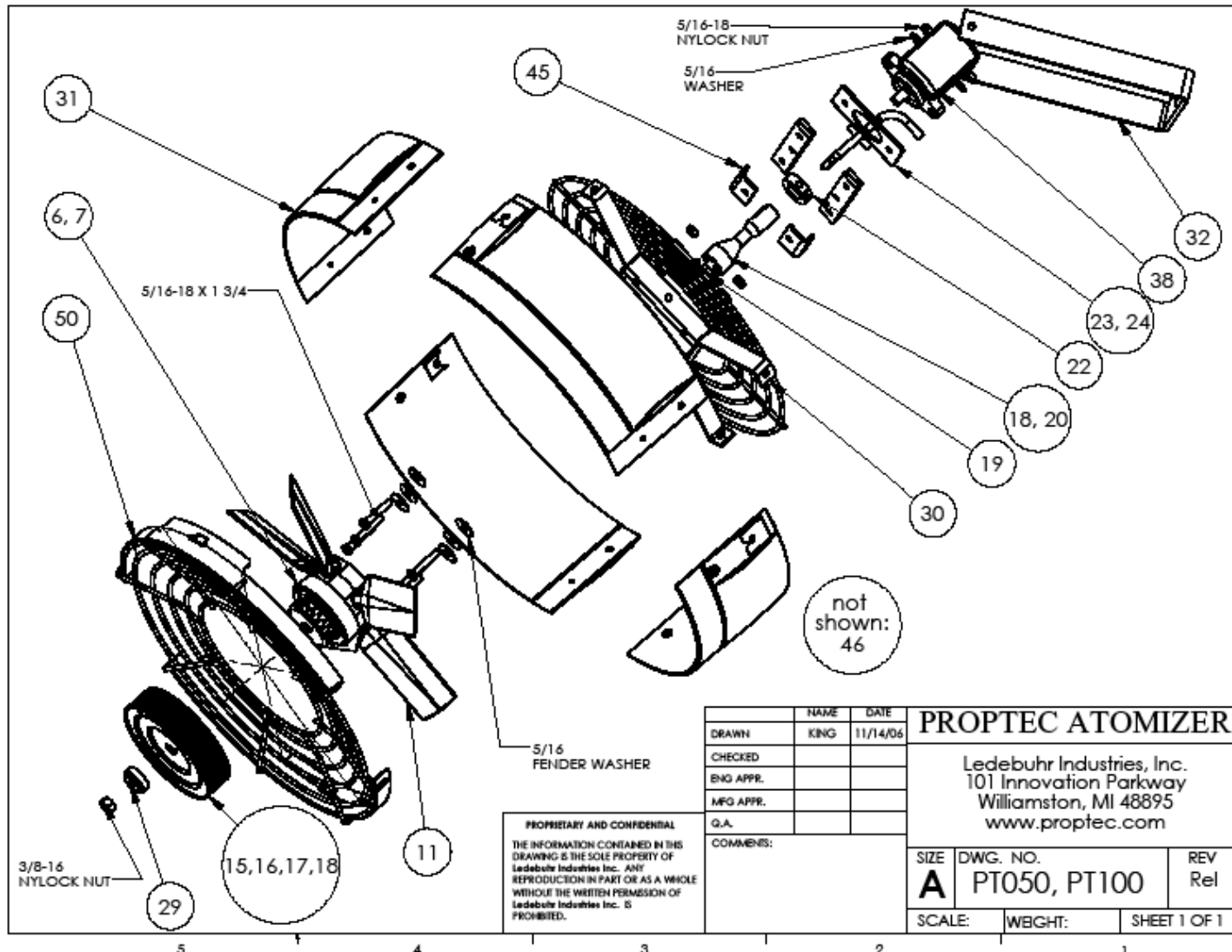
CC# (if paying w/cc): _____ Expiration: _____



Proptec Parts

(Prices current as of 10/1/09). Sale price valid until January 31, 2009

Item Description	Item ID	List	2009 Freshen up price	You SAVE:	Diagram number	Fill in box with quantity desired
BLADE AND HUB ASSEMBLY	PT100-0100	\$327.18	\$229.03	\$98.15	6	
ATOMIZER HUB, HYDEX	PT100-0102	\$196.88	\$137.82	\$59.06	10	
RING RETAINER, COMPOSITE	PT100-0103	\$23.00	\$16.10	\$6.90	8	
PROPTEC BLADES 5 PACK	PT100-0105	\$88.90	\$62.23	\$26.67	9	
PROPTEC ATOMIZER BASKET	PT100-0200	\$112.98	\$96.03	\$16.95	15	
FINE MESH SS ATOMIZER BASKET	PT100-0230	\$112.98	\$96.03	\$16.95	17	
SPINDLE	PT100-0300	\$102.95	\$87.51	\$15.44	18	
SS SPINDLE	PT100-0320	\$132.20	\$112.37	\$19.83	20	
7/8" SPINDLE CLAMP, STAINLESS	PT100-0401	\$24.72	\$21.02	\$3.71	22	
PROPTEC INJECTOR PLATE ASSEMBLY	PT100-0500	\$49.91	\$34.94	\$14.97	23	
MOUNTING STRAP	PT100-0600	\$6.00	\$5.10	\$0.90	28	
SPINDLE CAP	PT100-0700	\$8.23	\$5.76	\$2.47	29	
BACK GRATE FOR PROPTEC HEAD	PT100-0800	\$185.22	\$129.65	\$55.57	30	
PROPTEC SHROUD	PT100-0900	\$149.00	\$104.30	\$44.70	31	
PROPTEC SHROUD QTR	PT100-0904	\$40.00	\$28.00	\$12.00	NS	
SS U MOUNT BAIL	PT100-1000	\$56.46	\$47.99	\$8.47	32	
L STYLE BAIL	PT100-1010	\$74.88	\$63.65	\$11.23	33	
2" BOOM MOUNT BRACKET, SS	PT100-1100	\$56.37	\$47.91	\$8.46	34	
3" BOOM MOUNT BRACKET KIT	PT100-1101	\$74.99	\$63.74	\$11.25	35	
STR. BOOM BRACKET FOR 2" BAR	PT100-1115	\$45.29	\$38.50	\$6.79	37	
PROPTEC MOTOR, 2.8 CC	PT100-1200	\$417.61	\$292.33	\$125.28	38	
MOTOR SHAFT KEY	PT100-1202	\$0.79	\$0.67	\$0.12	40	
VITON SEAL KIT 2002 & OLDER	PT100-1203	No longer available				
VITON SEAL KIT 2003 & NEWER	PT100-1206	\$123.38	\$104.87	\$18.51	43	
4 GPM FLOW RESTRICTOR	PT100-1304	\$35.00	\$24.50	\$10.50	44	
CLAMP BAR FOR MOUNTING STRAPS	PT100-1400	\$5.78	\$4.91	\$0.87	45	
FRONT GRATE LATCHES, each	PT100-1500	\$44.10	\$30.87	\$13.23	46	
FRONT GRATE LATCH PIN	HFSP-.313-A	\$2.06	\$1.75	\$0.31	47	
ADJUSTMENT WRENCH FOR LATCH	PT100-1504	\$4.75	\$4.04	\$0.71	48	
FRONT GRATE, COMPLETE	PT100-1700	\$181.36	\$154.16	\$27.20	50	
DANGER STICKERS	PT100-1900	\$3.93	\$3.34	\$0.59	51	
PT100 LABEL STICKERS	PT100-1901	\$3.90	\$3.31	\$0.58	52	
GAROLITE FRICTION DISK	PT100-2101	\$7.32	\$6.22	\$1.10	54	
Other Handy Parts:						
	Part #	List	Sale price:	You Save:		
	HYPRO 9000 Pump (PTO) Seal	CU-2120-0011	\$57.75	\$49.09	\$8.66	
	HYPRO 9000 Pump(PTO) SUPER Seal(carbide)	CU-3430-0591	\$242.10	\$205.79	\$36.32	
	HYPRO 9200 Pump (hyd. Motor) seal	CU-2120-0009	\$66.69	\$56.69	\$10.00	
	HYPRO 9200 Pump (hyd. Motor) SUPER seal(carbide)	CU-3430-0589	\$227.70	\$193.55	\$34.16	
	Orifice Discs- specify size	CN-4916-(SIZE)	\$4.13	\$3.51	\$0.62	
	Orifice Disc Seals	CN-CP18999-EPR	\$1.49	\$1.27	\$0.22	
	Teejet Viton Nozzle Check Diaphragms (viton)	CN-CP21953-VI	\$1.93	\$1.64	\$0.29	
	Teejet 144P valve rebuild kits	CVE-AB144P-KIT	\$52.25	\$44.41	\$7.84	



PROPRIETARY AND CONFIDENTIAL
 THE INFORMATION CONTAINED IN THIS DRAWING IS THE SOLE PROPERTY OF Ledebuhr Industries Inc. ANY REPRODUCTION IN PART OR AS A WHOLE WITHOUT THE WRITTEN PERMISSION OF Ledebuhr Industries Inc. IS PROHIBITED.

	NAME	DATE
DRAWN	KING	11/14/06
CHECKED		
ENG APPR.		
MFG APPR.		
G.A.		

COMMENTS:

PROPTec ATOMIZER		
Ledebuhr Industries, Inc. 101 Innovation Parkway Williamston, MI 48895 www.proptec.com		
SIZE	DWG. NO.	REV
A	PT050, PT100	Rel
SCALE:	WEIGHT:	SHEET 1 OF 1