

## **2009 PROPTEC SPRAY SYSTEMS PROPTEC™ & PENGUIN™ ATOMIZERS, POWERPACKS & KITS**

**November 1, 2008 version**

**How to use this Document:**

Following are a series of calculator pages. With them, you can build a sprayer kit "ala carte" to suite the exact needs of your operation. You may be receiving this as a pre-completed quote. Please feel free to change it as necessary to suit your needs.

To use the worksheets, put an "x" or a number in the Blue space after each option. the price will automatically calculate at the bottom of the column, then all the pages are conveniently added together and shown on the Summary page.

Selecting the proper options can be difficult. PLEASE do not hesitate to call if you have questions. Your Dealer or a Ledebuhr Industries representative will guide you through the choices.

For more information on the sprayer options, visit the website [www.ledebuhr.net/sprayers/ag.sprayers.php](http://www.ledebuhr.net/sprayers/ag.sprayers.php)

Contact us for current shipping quotes and delivery schedules.

Choose any of the links below to begin figuring price:

[Price Summary](#)

[PROPTEC HYDRAULIC Atomizer Builder](#)

[PENGUIN ELECTRIC Atomizer Builder](#)

[Agricultural Atomizers](#)

[Tractor- hydraulics power kits](#)

[Ala Carte Chem Systems- build up your chem system or buy the pieces to fix yours](#)

[HYDRABRUTE Gasoline engine powersources](#)

[PPP Heavy Duty Powerpacks- PTO Drive](#)

[PPL Standard Duty Powerpacks- PTO Drive](#)

[PPL Powerpack loose parts- PTO Drive](#)

[Pre-plumbed boom kits](#)

[EP electric powerpacks-110/220VAC](#)

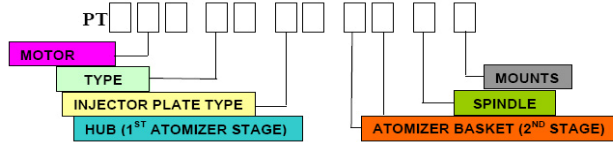
[Spare Parts](#)





# PROPTEC™ Hydraulic Atomizer Configurator & Price worksheet, 2008

Valid November 1, 2008. Prices subject to change without notice.



[Back to price summary](#)

Choose one option from each group, below, to create your atomizer.

1) Choose an atomizer series base configuration:

Series	Type
PT050	2-Stage, fine drop, air-assist, low HP
PT100	2-Stage, fine drop, air-assist, high HP

Price	Quantity	Total
\$740.13		\$0.00
\$740.13		\$0.00

2) Choose the atomizer series:

Series	Type
PM	PREMIUM (STD. CONFIGURATION)
SD	Severe Duty
AS	Air Assisted & Guarded, 6" Basket
AL	Air Assisted & Guarded, 12" Basket

Price	Quantity	Total
0		\$0.00
314.14		\$0.00
599.72		\$0.00
569.52		\$0.00

3) Choose injector tube to match flow needs:

Callout	Description	Actual injector plate PN
01	0-3 GPM, 1 tube	PT100-0500
02	0-3 GPM, 1 tube, 90 deg inlet tube	PT100-0510
03	0-6 GPM, 2 tubes, for 1 or 2 fluids	PT100-0550
3G	0-10 GPM, 2 tubes, guarded, for 1 or 2 fluids	PT100-0555
04	0-12 GPM, 4 tubes, 1 to 4 fluids	PT100-0560
S1	0-3 GPM 1 tube, severe duty	PT100-0530

Price	Quantity	Total
\$0.00		\$0.00
\$1.68		\$0.00
\$35.14		\$0.00
\$78.43		\$0.00
\$98.60		\$0.00
\$61.25		\$0.00

4) Choose the 1st atomizer stage (hub) to match your flow needs. Choose 1 per atomizer:

Hub may be PBT Plastic or Aluminum, at our option

Callout	Description	Actual Hub Part Number
A	0-2 GPM, ALUMINUM	PT100-0113
B	0-3.5 GPM, STAINLESS STEEL	PT100-0112S
C	0-3.5 GPM, ALUMINUM	PT100-0112
D	0-3.5 GPM, HYDEX® 4101 PLASTIC	PT100-0102
E	0-3.5 GPM HYDEX®, AIR ASSIST, ADJUSTABLE PITCH BLADES, for 100 series motors	PT100-0100
F	0-3.5 GPM HYDEX®, AIR ASSIST, FIXED PITCH BLADES for 50 series motors	PT100-0100FL
G	0-12 GPM, HIFLO ALUMINUM W/ NITUFF®	PT100-0122

Price	Quantity	Total
\$196.88		\$0.00
\$1,000.00		\$0.00
\$196.88		\$0.00
\$196.88		\$0.00
\$337.29		\$0.00
\$337.29		\$0.00
\$241.08		\$0.00

4) Choose 2nd stage atomizer (atomizer basket):

Callout	Description	Actual Basket Part Number
A	No basket (PT048, 098, and 199)	NONE
B	6" 12 mesh	PT100-0200
C	6" 12 mesh welded- severe duty. Choose for SD or all SS option	PT100-0210
D	6" 30 mesh	PT100-0230
E	12" 12 mesh	PT200-0200
F	12 inch, 30 mesh	PT200-0230

Price	Quantity	Total
\$0.00		\$0.00
\$112.98		\$0.00
\$112.98		\$0.00
\$112.98		\$0.00
\$327.18		\$0.00
\$327.18		\$0.00

5) Choose spindle type:

Callout	Description	Actual Spindle Part Number
A	CORROSION RESISTANT STRESS-PROOF ALUMINUM	PT100-0300
S	STAINLESS STEEL, 303SS GRADE	PT100-0320

Price	Quantity	Total
\$0.00		\$0.00
\$29.25		\$0.00

6) Mounting bail options:

PT050 and PT100 air assisted and guarded atomizers require a mounting bail. Below.

Optional on other atomizers. Adding bail allows directional adjustment.

Severe Duty Atomizers do not use a bail mount.

Callout	Description	Actual Bail Part Number
X	No Bail	
A	U-bail- stainless steel, "A" Style	PT100-1000
B	L-Bail, powdercoated black, "B" Style.	PT100-1010
C	Custom- as per customer need.	

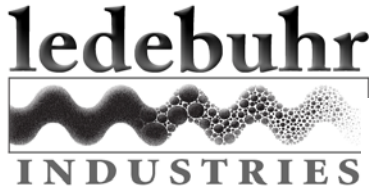
Price	Quantity	Total
0		\$0.00
56.46		\$0.00
74.88		\$0.00
CALL		

Net Atomizer Price: \$0.00

Specify # of atomizers:

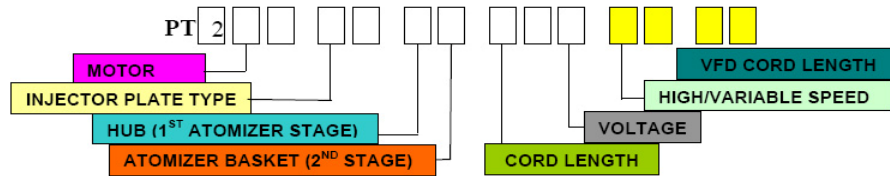
Total Atomizer cost: \$0.00

[Back to price summary](#)



## PENGUIN, Penguin PRO, and BELTED PENGUIN Atomizer Configurator & Price worksheet, 2008

Valid November 1, 2008. Prices subject to change without notice.



[Back to price summary](#)

Choose one option from each group below to create your atomizer.

### 1) Choose an atomizer series base configuration:

Series	Type	Actual Motor Part Number	Price	Quantity	Total
00	.75HP 110/220V, 50/60 Hertz washdown (Penguin)	PT200-0000	\$1,250.94		\$0.00
10	1.5HP 110/220V, 50 Hertz (PT215 Penguin Air Assisted)	PT200-0010	\$1,250.94		\$0.00
15	1.5HP 110/220V, 60 Hertz (PT215 Penguin Air Assisted)	PT200-0015	\$1,458.98		\$0.00
20	1HP 220/440V, 3-Phase, inverter duty (Penguin)	PT200-0020	\$1,440.78		\$0.00
30	1HP 220/440V, 3-Phase, inverter duty, ALL STAINLESS (Penguin)	PT200-0030	\$1,462.37		\$0.00
40	2HP 220/440V, 3-Phase, inverter duty, ALL STAINLESS (Penguin PRO)	PT200-0040	\$1,534.94		\$0.00

### 2) Choose the injector plate type to match your flow needs:

Callout	Description	Actual Injector Part Number	Price	Quantity	Total
S1	PT200 Series single tube, 0-2 GPM	PT200-0500	\$0.00		\$0.00
S2	PT200 Series dual tube, 0-4 GPM	PT200-0500	75.46		\$0.00

### 3) Choose the 1st atomizer stage (hub) to match your flow needs:

Hub may be PBT Plastic or Aluminum, at our option

Callout	Description	Actual Hub Part Number	Price	Quantity	Total
A	0-2 GPM, ALUMINUM	PT100-0113	\$196.88		\$0.00
B	0-3.5 GPM, STAINLESS STEEL	PT100-0112S	\$1,000.00		\$0.00
C	0-3.5 GPM, ALUMINUM	PT100-0112	\$196.88		\$0.00
D	0-3.5 GPM, HYDEX® 4101 PLASTIC	PT100-0102	\$196.88		\$0.00
F	0-3.5 GPM HYDEX®, AIR ASSIST, FIXED PITCH BLADES	PT100-0100FL	\$337.29		\$0.00
G	0-12 GPM, HIFLO ALUMINUM W/ NITUFF®	PT100-0122	\$241.08		\$0.00

4) Choose 2nd stage atomizer (atomizer basket):

Callout	Description	Actual Basket Part number	Price	Quantity	Total
A	No basket (PT048, 098, and 199)	NONE	\$0.00		\$0.00
B	6" 12 mesh	PT100-0200	\$112.98		\$0.00
C	6" 12 mesh welded- severe duty.				
C	Choose for all SS option	PT100-0210	\$112.98		\$0.00
D	6" 30 mesh	PT100-0230	\$112.98		\$0.00
E	12" 12 mesh	PT200-0200	\$327.18		\$0.00
F	12 inch, 30 mesh	PT200-0230	\$327.18		\$0.00

5) Specify electrical cord length:

Callout	Description	Actual Electrical Cord PN	Price	Quantity	Total
-20	Standard Length, 20'		\$0.00		\$0.00
-??	specify # of feet, up to 100'		\$1.68		\$0.00

6) Specify VOLTAGE/HERTZ:

Callout	Description	Price	Quantity	Total
11	110-120 volts, 50/60 Hz	na		
22	208-220-240 volts, 50/60 Hz	na		
44	440-480 volts	na		

7) Variable Speed/ High Speed options:

Callout	Description	Price	Quantity	Total
PR	PENGUIN PRO 2 HP, IP55 rated, programmable variable frequency drive. 220V 1 Phase input. For use with one, 1 HP or 2 HP 3 phase motor.	\$900.00		\$0.00
P5	PENGUIN PRO 10 HP, IP55 Rated, programmable variable frequency drive. 220V 1 Phase input. For use with up to 5 atomizers in an array.	TBD		
CALL	Custom Speed			

8) Specify VFD CONNECTING CORD Length:

Shielded, wet duty, 16-4 conductor cord.

Callout	Description	Actual Electrical Cord PN	Price	Quantity	Total
-50	Standard Length, 50'		\$0.00		\$0.00
-??	Specify other lengths, maximum 130'		\$1.68		\$0.00
<b>Net Atomizer Price:</b>					<b>\$0.00</b>

[Back to price summary](#)

Specify # of atomizers:   
**Total Atomizer cost: \$0.00**

# Proptec Custom Kits

## Kit #1: Proptec Air assisted atomizers, with no additional Power or chemical delivery system components

Prices good as of February 2008. Subject to change without notice.

For users that want to craft their own power and chemical delivery system. Begin by choosing the type of atomizer you want, and the quantity. Fill in blue boxes where applicable. Price will auto-calculate.

<u>Fill in # of heads at right for form to auto-fill</u>	<u>oil flow/atomizer</u>	<u>Fill in # atomizers</u>	
PT50-A Proptec Head, Low power	2 GPM	<input type="text"/>	
PT50-B Proptec Head, Low Power	2 GPM	<input type="text"/>	
PT100-A Proptec Head, Hi Power	4 GPM	<input type="text"/>	
PT100-B Proptec Head, Hi Power	4 GPM	<input type="text"/>	

<b>Add Proptec Head base package, including:</b>		Check below to add or subtract item	Price:
Atomizer	choose above	<input type="text" value="x"/>	\$1,865.00
In-line chem metering stack: Teejet nozzle body with diaphragm check, ball valve, gasket, metering disk, and orifice plate (orifice plate to be specified at time of order)	CON-METERASSY	<input type="text" value="x"/>	\$27.06
package cost per head:			\$1,892.06
Total atomizer cost:			\$0.00

**Add Mounting Bracket** (designate quantity of each bracket in blue boxes below)

PT100-1100 bracket for 2" tube, use with 'A' heads	<input type="text"/>	\$56.37	\$0.00
PT100-1115 Bracket for 2" tube, use with 'B' heads	<input type="text"/>	\$45.29	\$0.00
PT100-1101 Bracket for 3" tube, use with 'B' heads	<input type="text"/>	\$74.99	\$0.00

[Back to price summary](#)

<b>Package subtotal</b>	<b>\$</b>	<b>-</b>
-------------------------	-----------	----------

# Proptec Custom Kits

## Kit #2: Tractor hydraulics kits

### Powered by tractor or other auxillary hydraulics.

For refitting to existing sprayer with a good working chem system already installed, or add chem system components on the "ala carte chem system" page. **Prices current as of February 1, 2008**

Choose from one of the two kits below- you will be purchasing all the hydraulic components necessary to power Proptec heads on a continuous basis with a tractor's hydraulic system . All components have been fitted with hydraulic fittings, so you can use common and convenient JIC swivel hydraulic hose ends. Contact a sales representative for information and advice on using tractor hydraulics to power your Proptec sprayer.

### KIT #1: PP-THYDKIT COMPLETE

This kit contains everything needed to use tractor hydraulics to power up to 4, PT100 heads or 8, PT050 heads. Heads and mounting brackets sold separately. Purchaser will have to buy or make their own hydraulic hoses separately.  
For tractor hydraulic systems up to 16 gallons per minute.

#### PP-THYDKIT COMPLETE, containing the following items:

Quantity	Description	Part Number	Total Kit Price	Type Quantity in box below:
1.00	TRACTOR HYD PPACK BRACKET	. PP-THYDKIT BRACKET		
1.00	HIGH PRESSURE FILTER, 16 GPM	. YT-HDO49-868		
2.00	STEEL NIPPLE FP QUICK CONNECTOR, 3/4"	. YF-PCN-08		
2.00	2404-08-08	. YF-JM08-PM08		
1.00	STEEL NIPPLE FP QUICK CONNECTOR 1/4"	. YF-PCN-04		
1.00	STEEL COUPLER FP QUICK CONNECTOR 1/4"	. YF-PCC-04		
1.00	2404-06-04	. YF-JM06-PM04		
1.00	VONBERG #6 CHECK VALVE SAE	. YV-1906RR		
2.00	GP-6504-08-08-06	. YF-JM08-JFX08-GP6		
1.00	BULKHEAD UNION & LOCKNUT MJxBH	. YF-2700LN-06-06		
1.00	BULKHEAD UNION & LOCKNUT MJxBH	. YF-2700LN-08-08		
2.00	6400-08-08	. YF-JM08-OM08		
1.00	OIL COOLER ASSEMBLY	. YO-DC10-12		
1.00	TEMP SWITCH, 115 DEG	. YT-TC-115		
1.00	FLOW CONTROL 550	. YV-RD-550-8		
2.00	6400-08-12	. YF-JM08-OM12		
3.00	2404-08-08	. YF-JM08-PM08		
<b>TOTAL:</b>			\$ 1,504.03	\$ -

### KIT #2: PP-THYDKIT WITHOUT OIL COOLER

Kit is same as above, without an oil cooler. In certain tractors and applications, the cooler is not necessary so this kit was put together to save the expense and extra complication in these situations.  
Call for advice on choosing the proper kit.

#### PP-THYDKIT , containing the following items:

Quantity	Description	Part Number	Total Kit Price	Type Quantity in box below:
1.00	TRACTOR HYD PPACK BRACKET	. PP-THYDKIT BRACKET		
1.00	HIGH PRESSURE FILTER, 16 GPM	. YT-HDO49-868		
2.00	STEEL NIPPLE FP QUICK CONNECTOR, 3/4"	. YF-PCN-04		
2.00	2404-08-08	. YF-JM08-PM08		
1.00	STEEL NIPPLE FP QUICK CONNECTOR 1/4"	. YF-PCN-04		
1.00	STEEL COUPLER FP QUICK CONNECTOR 1/4"	. YF-PCC-04		
1.00	2404-06-04	. YF-JM06-PM04		
1.00	VONBERG #6 CHECK VALVE SAE	. YV-1906RR		
2.00	GP-6504-08-08-06	. YF-JM08-JFX08-GP6		
1.00	BULKHEAD UNION & LOCKNUT MJxBH	. YF-2700LN-06-06		
1.00	BULKHEAD UNION & LOCKNUT MJxBH	. YF-2700LN-08-08		
2.00	6400-08-08	. YF-JM08-OM08		
1.00	FLOW CONTROL 550	. YV-RD-550-8		
3.00	2404-08-08	. YF-JM08-PM08		
<b>KIT TOTAL:</b>			\$ 589.82	\$ -
<b>SPARE OIL FILTER CARTRIDGE- change annually</b>		<b>YT-192018</b>	\$ 94.85	\$ -

**Subtotal: Tractor Hydraulic Packages: \$ -**

[Back to price summary](#)

# Proptec Custom Kits

## Kit #3: Custom Chem systems

[Back to price summary](#)

Purchase PRE-ENGINEERED assemblies to finish your sprayer.

Select through this list to build up a partial to complete chem system.

Before you start- ask yourself the 4 questions below. Your answers will determine the pump you choose.

**How big is my chem tank?** 50 gallons or less, 12 Volt acceptable. Over 50 gallons, choose larger pump

**How many atomizers do I want to use?** 1-4 atomizers, any pump is appropriate. Over 4 Atomizers, use centrifugal

**How many acres will I be applying over?** <10 acres, 12 V may be appropriate. >10 acres, get a larger pump

**Am I purchasing a PPP, PPL or Hydra-Brute powerpack?** These have integrated chem systems. Skip this page.

Once you know these 4 things, you can choose from the 3 offerings below

1) Choose your pump	PRICE	Fill in number of items in this column
---------------------	-------	--

### 12V Pumps

#### DELEVAN 7800 series 12Volt DC pumps

For 4 or fewer heads, 50 gallon tank or less, and 20 acres or less:

**Purchase 1, 2 or 3 pumps-** one to agitate tank, one per atomizer or per side to meter chemicals for a complete system, order pumps, port fittings, and the plumbing kit below

**pump specs:**

1 OR 2 GPM open flow with 2 Amp Max draw (12 volt) per pump

45 PSI shutoff valve limits pressure

Broad chemical compatibility of diaphragms

able to handle concentrated sprays

Pump is also chemical valve- turn off pump to stop chem flow.

Economical and practical chem delivery for the small grower.

Delevan 7800 1 GPM Pump, CHOOSE INLET AND OUTLET BELOW	COP-7801-101	\$ 192.09	
Delevan 7800 2 GPM Pump, CHOOSE INLET AND OUTLET BELOW	COP-7802-101	\$ 192.09	
3/8" straight hose barb pump port (outlet)	COP-3DFA38	\$2.75	
3/8" elbow hose barb pump port (outlet)	COP-3DFE38	\$2.75	
1/2" straight hose barb pump port (inlet)	COP-3DFA12	\$2.75	
1/2" elbow hose barb pump port (inlet)	COP-3DFE12	\$2.75	

#### Pump Plumbing Kit for 12V Pumps, includes all the following:

2 3/4" Bulkhead fitting, 2 pcs.	CTB-450-0604018		
1 Agitator, Delevan	CTB-019-0254678		
3 3/4" pipe nipple, polypro, 3 pcs.	CFP-PM12-PM12		
1 3/4" UNION VALVE	CVBP-450-0604104		
1 Suction "wye" filter, no screen, 3/4" ports	COF-050-2000750		
1 Suction "wye" filter screen, 20 MESH	COF-2200209		
4 3/4" Pipe x 1/2" Hose barb, 4 pieces	CFP-HS08-PM12		
2 3/4" pipe x 1/2" Hose barb Elbow, 2 pieces	CFP-HS08-PM12-90-P		
2 3/4" Pipe street elbow, 2 pieces	CFP-PM12-PF12-90-P		
2 1/2" hose barb tee, 2 pieces	CFP-THS08-P		
8 1/2" hose, 8 feet	COH-CH-08		
10 1/2" hose clamps, 10 pieces	COC-024-0000121		
<b>TOTAL KIT:</b>	<b>12VPUMPKIT</b>	<b>\$ 161.39</b>	

### Centrifugal Pumps

#### HYPRO 9006-C PTO direct-drive Centrifugal pump

For 1 or more heads, and chem tanks to 500 gallons, and larger acreages:

Pump supplies 118 GPM free flow- will agitate to 500 gallons

Can easily supply up to 20 atomizers

Cast iron, epoxy paint for long life

540 RPM direct input needs no pulleys or belts.

Mounts directly to tractor PTO shaft, eliminates drivelines

Reliable, sturdy, easy to mount, easy to service

Add self-priming kit- if tank sump will be below pump	COP-007-3430480	\$ 820.05	
Add Carbide super-seal: 20X longer life, withstands long periods of run-dry	COP-3430-0591	\$ 295.90	

#### HYPRO 9262-C belt-driven, clutch drive centrifugal pump

For 1 or more heads, and chem tanks to 500 gallons, and larger acreages, when belt-drive is necessary. Ideal for engine-drive applications.

Pump supplies maximum 130 GPM free flow- will agitate to 500 gallons

Can easily supply up to 20 atomizers

Cast iron, epoxy paint for long life

	COP-007-0092631	\$ 1,104.95	
--	-----------------	-------------	--

4" pulley, 2000 to 4000 RPM operating speed. 12V clutch for remote on and off Reliable, sturdy, easy to mount, easy to service Add Carbide super-seal: 20X longer life, withstands long periods of run-dry	COP-3430-0589-	\$ 295.90	
---	----------------	-----------	--

## 2) Add Control Box -available late 2008

If you are not purchasing a powerpack as part of your kit, you may purchase a simple control box here with the following features:

<b>Add Control Box</b> 1 Main, 2 switches Will power 2, 12 volt pumps or 2 boom switches(Raven or Spraying Systems) Continuous power to hydraulic oil cooler fan(cooler only operates when oil is hot) 10 Gauge power leads to Tractor battery and back to sprayer. All waterproof Packard Connectors- Rugged molded fiberglass box on BOTH ends- control box in tractor cab, terminal box on sprayer. Lighted rocker switches	PPL-CNTRLBX2	N A	
---	--------------	-----	--

## 3) Choose Filters, Valves and Routing Kits

Once you have chosen your pump, you can purchase a pre-assembled fitting stack package that will make building your sprayer out easy- no fittings or hose to purchase- just mount these pre-engineered assemblies. wherever possible, pipe threads are avoided- fittings are BANJO™ Universal Flange- meaning they require no sealant, always seal, and can be dis-assembled in less than a minute without total system disassembly. These are a REAL improvement! A screwdriver or nut driver is all you will need to adjust this system.

<b>Stack #1: Suction filter and pump fittings</b> Pump suction stack, includes the following Sized for 1.5" suction hose 1.5" wye suction filter with drain valve, #6 mesh 2" shutoff valve to isolate filter for service Camlock adapter for pump inlet, allowing instant removal for pump service Camlock adapter for pump outlet, 1.5" camloc, reduced to 1 1/4" hose barb All fittings glass-reinforced poly, schedule 80. chem resistant, non collapsing suction hose	PP-CHEMSTACK1	\$ 342.76	
---	---------------	-----------	--

<b>Stack #2A: Agitation Bypass, manual metered flow conditioning</b> 1.25" hose barb inlet ball valve to adjust agitation flow, 2" ball, 1.25" outlet to tank 1" pre-adjustment valve, to metered flow 1" Banjo T-strainer, 30 mesh, self-cleaning 3/4" Spraying systems diaphragm type pressure regulator 1" hose barb outlet	PP-CHEMSTACK #2A	\$ 459.80	
--	------------------	-----------	--

<b>Stack #2B: Agitation Bypass, 12 volt rate control valve flow metering</b> All the features of #2A, with the following: Pressure regulator replaced by Spraying Systems 344 BPR regulating valve. This valve allows FULL system shutoff- a major improvement, and fine rate adjustment. The electrical parts are fully sealed and there is a position indicator showing the position of the valve. We believe this is the finest valve on the market today.	PP-CHEMSTACK #2B	\$ 714.78	
--	------------------	-----------	--

<b>Stack #3A: RAVEN Boom Valves</b> 1" Hose barb inlet, with 2" clamp, all hosing, gage, mounting hardware, and fittings 2, RAVEN Boom Valves, 12 V 3- wire system, 150 PSI, Flanged inlets, w/ clamps These are the finest valves on the market today- fast operation, no power draw, fully sealed and isolated motors, and can be fully disassembled in under 10 seconds. Once you use one, you'll convert all your valves to these!	PP- CHEMSTACK #3A	\$ 833.28	
---	-------------------	-----------	--

<b>Stack #3B: RAVEN Boom Valves with RAVEN flowmeter</b> 1" Hose barb inlet, with 2" clamp, all hosing, gage, mounting hardware, and fittings 2, RAVEN Boom Valves, 12 V 3- wire system, 150 PSI, Flanged inlets, w/ clamps These are the finest valves on the market today- fast operation, no power draw, fully sealed and isolated motors, and can be fully disassembled in under 10 seconds. Once you use one, you'll convert all your valves to these!	PP-CHEMSTACK #3B	\$ 1,403.52	
--	------------------	-------------	--

[Back to price summary](#)

**SUBTOTAL Chem system: \$ -**

# Proptec Custom Kits

## Kit #4: Hydra-Brute Gasoline-powered hydraulic powerpacks

For users that have a small tractor, or want to operate a sprayer from the bed of a pickup or utility vehicle, you can now get the horsepower you need without spending tens of thousands on a new tractor.

### FEATURES:

- 1 size fits all, with adjustable hydraulic flow to 14 GPM 2500 PSI max
- All include electric start
- 20.5 HP Honda or 27 HP GENERAC Commercial engine
- 20 amp, 12 volt generator, 200 CCA Battery
- 7 gallon gas tank
- Oil cooler and high pressure filtration standard!
- Simple Control Box option (see below)

Model:	Maximum hydraulic flow	Can power this many PT50 Atomizers	Can power this many PT100 Atomizers	Price	Check here to select
HB-14.	14 GPM	8	4	\$ 5,899.00	<input type="checkbox"/>

### Add Options:

#### Add Frame:

Purchase SD Frame to mount larger fuel tank, for use moving, or to mount atomizers on.

\$ 1,000.00

#### Add Belt-driven chem pump:

Clutch-drive, powered directly off of engine. Adjustable mount to tension belt. Belts and pulleys fully sheathed for safety.

-9262 \$ 1,500.00

#### Purchase control box separately:

1 Main, 2 switches

Chem pump on hydraulic on

3 boom switches

engine kill switch

Will power 2, 12 volt pumps or 2 boom switches (Raven or Spraying Systems)

All power comes from Hydraulic 20 Amp Power circuit

All waterproof Packard Connectors

Rugged molded fiberglass box on BOTH ends- control box in tractor cab, terminal box on sprayer.

Lighted rocker switches

\$ 692.00

[Back to price summary](#)

Total for Hydrabrute kit: \$ -

SORRY, NOT AVAILABLE FOR 2008

# Proptec Custom Kits

## Kit #5: Proptec HEAVY DUTY Powerpacks

Updated OCTOBER 2008

### **PPP series**

These are the power source choice for users that have 540 RPM input and put long hours on their machines. Designed for uncompromising performance, these packs will provide you with the the highest efficiency and longest service life of all our sprayer options. Updated October 10, 2008.

### **1) Hydraulics-only Powerpacks, for use with existing chem system**

mounted in front of the sprayer. Remove the Rear-mounted fan and Gearbox, and mount this powerpack to get a fully featured hydraulic system capable of powering up to 8 PT100 atomizers or 16 PT50 atomizers.

Features:

**NEW for 2009:** Adjustable Hydraulic pump- allows you to add heads as your needs grow.

complete wiring harness integrates with your existing chemical system.

fill level and temp window installed

oversized filtration for severe duty

Large oil cooler with automatic shutoff, only cools when the oil is hot, wont run down battery.

10 gallon tank is light and provides for economical oil changes

Electro-hydraulic on and off, switch and power lead provided

pressure relief (2500PSI)

completely plumbed and ready to attach the hydraulic hoses to.

low oil and overheat switches automatically shut off sprayer in the event of malfunction

6 spine input shaft to power off of any tractor PTO.

#### Size

4 to 8 head powerpack, hyd. only

#### Part Number

PPP1008

#### retail

\$8,731.00

### **2) COMPLETE POWERPACKS- including chem system and hydraulic system, 12v electric control system installed and ready to attach to your rate controller.**

**Features, in addition to those previously listed above:**

Hypro 9006c Mechanical drive Pump- No tractor hydraulics necessary!

Pre-plumbed for sparge/jet agitation

Self-cleaning filter

2, High quality RAVEN boom control valves

All wiring built into powerpack- can be used in conjunction with any rate controller

Chem pump has camlocks on inlet and outlet for easy service.

**NEW for 2009:** Hypro self-priming centrifugal pump standard. For non- self-priming, select NSP option below.

**NEW for 2009:** Adjustable Hydraulic pump- allows you to add heads as your needs grow.

4 to 8 head Powerpack

PPP2008

\$12,306.00

Optional standard centrifugal pump, not self-priming:

use with 3 point hitch sprayers, when pump is below tank

-NSP

-\$330.00

## Sprayer Controls

RAVEN 330 SCS Control system package includes the following:

call



SCS 330 Control box

Sprayer side and Tractor side cables

RAVEN RFM-15 Flowmeter

Speed control listed separately- choose wheel drive or GPS

---

[Back to price summary](#)

Total Heavy Duty Powerpack cost:

\$

-

# Proptec Custom Kits

## Kit #6: Proptec STANDARD DUTY Powerpacks

### ***PPL Series***

Designed for the small- to mid size user, who wants a PTO- Driven sprayer with good performance but cannot justify the investment in PPP series Powerpacks. Save thousands by not buying extreme duty components you don't need.

- 540 RPM 6 spline input
- Change sprockets to change hydraulic flow rate and add heads
- Stainless steel chain drive
- Greaseable shaft bearings
- Sturdy chain guards
- External 10 micron filter
- 10 gallon tank
- Oil cooler included as standard on all models
- Dupont Imron- the best paint made

	Price	Check here to add
<b>Single Pump PPL Powerpack only</b> Specify 4, 8, or 12 GPM flow	<b>\$ 3,049.00</b>	<input type="checkbox"/>
<b>Add Basic chem system</b>	<b>\$ 1,236.36</b>	<input type="checkbox"/>
<b>Add Premium chem system</b> Hypro 9006C Pump, shutoff valves, 1 12 V boom valve, self-cleaning chem filter, suction filter, Camloc fittings for pump, mounting brackets. Control box. All possible unions Universal flange or camloc- minimal pipe fittings.	<sup>1</sup> <b>\$ 2,418.00</b>	<input type="checkbox"/>
<a href="#">Back to price summary</a>	Powerpack cost	0

# Proptec Custom Kits- Powerpack Parts ala Carte

## Kit #7: Standard duty power systems components

for existing-sprayer refits.

Prices good as of February 2007. Subject to change without notice.

Order from this sheet if you have an existing driveshaft spinning at 540 RPM, and want to drive a hydraulic source off of it, choose components from this sheet.

			fill in the quantity of each item below
<b>1) Order Base powerpack</b>			
Includes all of the following: on- off valve, manual pressure relief tank oil filter, 3/4", with 10 micron spin-on cartridge	PPL-PACK	\$1,800.66	<input type="text"/>
<b>2) Order Oil Cooler, 12 volt DC fan.</b>			
includes: Oil cooler, temp switch	YO-DC10-12	\$ 620.40	<input type="text"/>
temp switch	YT-TC115	\$ 146.85	<input type="text"/>
hydraulic in and out fittings, straight and 90. Specify hydraulic line size			
<b>3) Order Sprocket Kits</b>			
<u>4 GPM sprocket kit (for 1 PT100 or 2, PT50 atomizers)</u>			
Includes: 2 drive sprockets, with taper-lock collars			1
36 tooth, 1" bore to fit powerpack	1-5036W	\$ 37.89	<input type="text"/>
18 tooth, 1 3/8" bore to fit drive shaft	1 3/8 5018W	\$ 22.94	<input type="text"/>
<u>8 GPM sprocket kit (for 2, PT100 or 4, PT50 atomizers)</u>			
Includes: 2 drive sprockets, with taper-lock collars			
24 tooth, 1" bore to fit powerpack	1-5024W	\$ 26.41	<input type="text"/>
24 tooth, 1 3/8" bore to fit drive shaft	1 3/8-5024W	\$ 26.41	<input type="text"/>
<u>12 GPM sprocket kit (for 3, PT100 or 6, PT50 atomizers)</u>			
Includes: 2 drive sprockets, with taper-lock collars			
24 tooth, 1" bore to fit powerpack	1-5024W	\$ 26.41	<input type="text"/>
36 tooth, 1 3/8" bore to fit drive shaft	1 3/8-5036W	\$ 37.89	<input type="text"/>
MASTER LINK, 50 Pitch chain		\$ 1.68	<input type="text"/>
			Fill in number of feet chain, below (min 3 feet)
DRIVE CHAIN, 50 Pitch, Per foot		\$ 8.84	<input type="text"/>
<a href="#">Back to price summary</a>	Subtotal, All items	\$	-

# Proptec Custom Kit #8: Pre-Plumbed Booms

When you have a good piece of base equipment, and just need to add a boom to complete your system, now you don't need to build it- you can buy it. Pre-built, pre plumbed booms offer real value. Proptec boom designs, quality 3 layer powder-coat paint, expert hydraulic plumbing using premium industrial grade components.

Some boom features here are not offered on our Standard Series Sprayers- call for more information. **ATOMIZERS, CHEM SYSTEM COMPONENTS, AND POWERPACKS ARE NOT INCLUDED ON THIS SHEET. PURCHASE BOOM WITH AN ATOMIZER & POWER PACKAGE- SEE ATTACHED WORKSHEETS TO CALCULATE**

- \* Premium Dayco hoses and ends, All JIC swivel for ease of service
- \* All hoses fully wrapped for long life and protection
- \* Where applicable, all folding joints are greasable
- \* Intelligent design maximizes strength, minimizes weight
- \* 3-layer powdercoat for maximum environmental resistance

## SPECIFY NUMBER OF ATOMIZERS

type # of atomizers here:  Number of atomizers determines hydraulic plumbing cost \$350.00 \$0.00  
 Plumbing includes up to 6 feet of hose between boom and hydraulic powersource

## Add hydraulic trunk line

SPECIFY NUMBER OF FEET IN FRONT OF APPROPRIATE ROW BELOW

<input type="text"/>	6' of hose included w/ boom to connect to hydraulic powersource. For each additional foot needed, specify below		
<input type="text"/>	Base price, added to per foot price	<b>CHOOSE TRUNK SIZE</b>	
<input type="text"/>	\$ 65.83	for 1 to 3 heads: 1/2" hose: pressure/return line, 3/8" case drain line, VELCRO Hose wrap	\$12.37 \$0.00
<input type="text"/>	\$ 101.00	for 3 to 5 heads: 3/4" hose: pressure/return line, 3/8" case drain line, VELCRO Hose wrap	\$16.86 \$0.00
<input type="text"/>	\$ 89.00	for 5-6 heads: 1" hose: pressure/return line, 3/8" case drain line, VELCRO Hose wrap	\$19.94 \$0.00

## BASE ARCH

Booms with an asterisk (\*) below are designed to bolt to a base arch. This arch is welded to your base frame. The base arch is 6.25 feet tall. It can also serve as the entire boom for smaller sprayers- heads can be bolted directly to it. Booms without an asterisk are designed to be welded directly to your existing frame.

Add Base Arch \$400.00

## CHOOSE BOOM PACKAGE

<b>Vertical Boom</b>	<b>VB(XX'XX')</b> Fixed Vertical boom. Specify height. 6.5' standard, max 10'	\$500.00	<input type="text"/>
<b>Vertical boom, Folding</b>	<b>VBFB</b> Boom folds forward. Specify folded height and Total height. Max 16'	\$1,500.00	<input type="text"/>
<b>Converting Boom, 1 or 2 heads</b>	<b>CB1*</b> Vertical or horizontal, manual fold. For hyd fold, add BF1 below	\$400.00	<input type="text"/>
	<b>CB2*</b> Vertical or horizontal, manual fold. For hyd fold, add BF1 below	\$400.00	<input type="text"/>
<b>Converting boom, 3 or 4 heads</b>	<b>CB3*</b> Vertical or horizontal, manual fold. For hyd fold, add BF1 below	\$650.00	<input type="text"/>
several custom options on cb4-call	<b>CB4</b> Vertical or horizontal, manual fold. For hyd fold, add BF1 below	CALL	<input type="text"/>
<b>Vertical Folding Boom</b>	<b>VF2*</b> Hydraulic fold is standard	\$1,500.00	<input type="text"/>
	<b>VF4*</b> Hydraulic fold is standard	\$1,500.00	<input type="text"/>

## HORIZONTAL BOOM OPTIONS

**Add Horizontal Boom, base price** **HB(XX)** Horizontal boom, xx = specify width \$1,400.00

Fixed, manually adjustable height folding boom, max boom width 30 feet. Base package is non-break-away, forward folding. Boom height Manually adjustable. Max normal arm length 6 feet. 25 ft boom gives 30' effective swath

**Add high clearance to horiz. Boom** **HHB** Allows Adjustable high clearance on horizontal boom. HL option below strongly recommended \$600.00   
 allows boom clearance of min 7.5', max 10.5' base package in conjunction with hyd. Boom lift and hyd. boom folds, below.

**Booms over 20', add:** **ELB** Booms over 20 feet require extra metal, hosing, bracketry and handling \$400.00   
 option not available with HHB option

**Add Hydraulic Boom Lift** **HL(XX)** Lifts horizontal boom to fit crop. Specify 24" or 36" \$1,400.00   
**Requires 1 tractor remote hydraulic valve** **NL** No lift standard

**Add Hydraulic Boom Fold**

<b>BF</b>	1 circuit boom fold, for 1 sided booms, requires 1 tractor hyd.	\$600.00	<input type="text"/>
<b>BF1</b>	1 circuit boom fold, folds both booms at once, requires 1 tractor hyd.	\$1,200.00	<input type="text"/>
<b>BF2</b>	2 circuit boom fold, folds each arm separate, requires 2 tractor hyd.	\$1,550.00	<input type="text"/>
<b>MF</b>	Manual Fold	Standard	<input type="text"/>

**Add Boom Breakaways**

<b>B</b>	Add self-righting breakaways to Boom 1 side	\$500.00	<input type="text"/>
<b>BB</b>	Add self-righting breakaways to Booms two sides	\$1,000.00	<input type="text"/>
<b>NBB</b>	no-breakaways	\$0.00	<input type="text"/>

**Add Hydraulic Boom Leveling**

<b>L1</b>	One-sided hyd. leveling- requires one remote control circuit	\$600.00	<input type="text"/>
<b>L2</b>	two-sided hyd. leveling- requires two remote control circuits	\$1,200.00	<input type="text"/>

**Not recommended with HHB booms**

**Add Folding Boom Tip**

<b>FBT1</b>	Hydraulic foldover boom tip, for 1- sided booms	\$600.00	<input type="text"/>
<b>FBT2</b>	Hydraulic foldover boom tip, for 2- sided booms	\$1,200.00	<input type="text"/>

**Not recommended with HHB booms**

TYPE BOOM CALLOUT HERE:

[Back to price summary](#)

Subtotal \$0.00

# Kit #9: Complete Hydraulic Power Systems, 110V or 220V single phase electric powersource 50 or 60 Hz

See the information sheet for more details on these hydraulic powersources

## Powerpack price

<b>Motor Options:</b>	<b>with remote control &amp; flow control circuit</b>	<b>Order number</b>	<b>"x" in box to select</b>
1.5 HP Motor:	\$ 1,636.00	EP15CC	<input type="checkbox"/>
2.0 HP Motor	\$ 1,829.00	EP20CC	<input type="checkbox"/>
3.0 HP Motor:	\$ 2,220.00	EP30CC	<input type="checkbox"/>

<b>Motor Options:</b>	<b>W/O control circuit</b>	<b>Order number</b>	<b>"x" in box to select</b>
1.5 HP Motor:	\$ 1,231.70	EP15	<input type="checkbox"/>
2.0 HP Motor	\$ 1,424.00	EP20	<input type="checkbox"/>
3.0 HP Motor:	\$ 1,815.21	EP30	<input type="checkbox"/>

### Specify the following options by checking the box:

50 Hz Power?	Order 2.0 or 3.0 HP pack only	50Hz	<input type="checkbox"/>
--------------	-------------------------------	------	--------------------------

IF pack includes control circuit, select coil voltage, else leave blank:	110VAC	<input type="checkbox"/>
	220VAC	<input type="checkbox"/>
	12VDC	<input type="checkbox"/>

Specify if CE required	CE	<input type="checkbox"/>
------------------------	----	--------------------------

<b>Number of powerpacks:</b>	<input type="text"/>
Total Electric Powerpack price	<b>\$</b> <input type="text" value="-"/>

[Back to price summary](#)

## Kit #10: Proptec Spare Parts

[Back to price summary](#)

If you are geographically remote from your source of Proptec Parts, it may be smart to stock a few spare parts.

Look here also for hydraulic filters, pump seals, and other common consumables.

If you are looking at the Excel spreadsheet, please see the PDF version of this document that includes

Exploded diagrams of all Proptec atomizers, or Call your Proptec Representative for assistance.

### Proptec Parts (current as of 2/1/08)

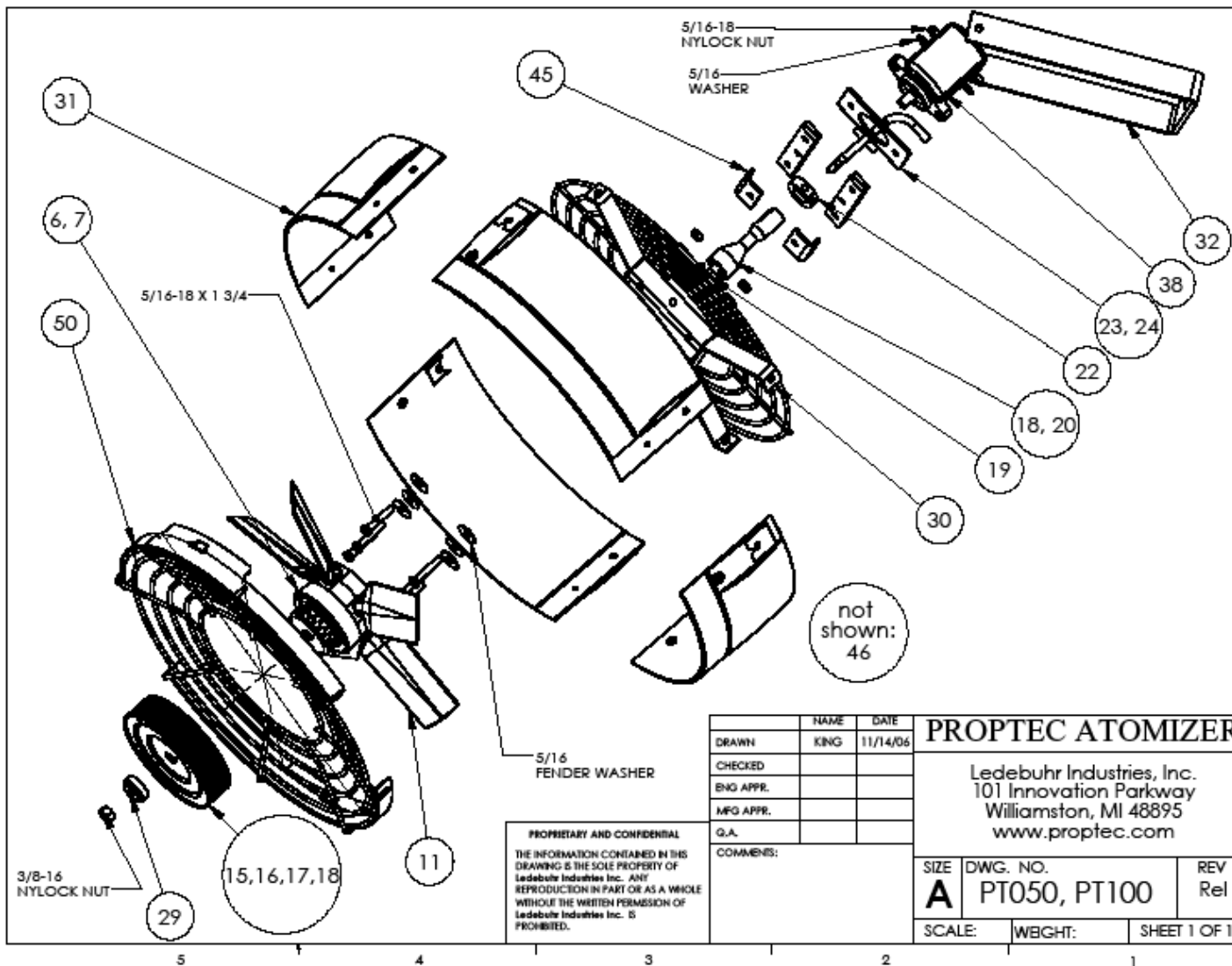
Item ID	Item Description	List	Diagram number	Fill in box with quantity desired
PT050-1202	1.4 CC proptec 50 series motor	\$417.61	0	
PT050-1302	2 GPM IN LINE OVERFLOW PROTECTOR	\$73.87	NS	
PT050-1901	PT50 series sticker	\$9.24	NS	
PT099-0600	SEVERE DUTY ISO-MOUNT KIT	\$298.03	1	
PT099-0601	ISO-MOUNT BLOCK	\$37.21	2	
PT099-0602	ISO-MOUNT BLOCK CLAMP PLATE	\$17.50	3	
PT099-0603	ISO-MOUNT INSIDE CABLE	\$31.61	4	
PT099-0604	ISO-MOUNT OUTSIDE CABLE	\$35.07	5	
PT100-0100	BLADE AND HUB ASSEMBLY	\$327.18	6	
PT100-0100FL	BLADE AND HUB ASSY, FIXED LOW	\$327.18	7	
PT100-0102	ATOMIZER HUB, HYDEX	\$196.88	10	
PT100-0103	RING RETAINER, COMPOSITE	\$23.00	8	
PT100-0105	PROPTEC BLADES 5 PACK	\$88.90	9	
PT100-0111	PROPTEC BLADE, COMPOSITE	\$20.00	11	
PT100-0112	ATOMIZER HUB, SEVERE DUTY,ALUM	\$196.88	12	
PT100-0113	ATOMIZER HUB, .125 HOLES	\$196.88	13	
PT100-0122	HIGH FLOW, SD ATOMIZER HUB	\$241.08	14	
PT100-0200	PROPTEC ATOMIZER BASKET	\$112.98	15	
PT100-0210	SD PROPTEC ATOMIZER BASKET	\$112.98	16	
PT100-0230	FINE MESH SS ATOMIZER BASKET	\$112.98	17	
PT100-0300	SPINDLE	\$102.95	18	
PT100-0301	SPINDLE STUD, COATED	\$7.38	19	
PT100-0320	SS SPINDLE	\$132.20	20	
PT100-0356	SPINDLE, ALUM, 9/16 BORE	\$116.30	21	
PT100-0401	7/8" SPINDLE CLAMP, STAINLESS	\$24.72	22	
PT100-0500	PROPTEC INJECTOR PLATE ASSEMBLY	\$49.91	23	
PT100-0510	INJECTOR PLATE W/90 ASMBLY	\$51.59	24	
PT100-0520	INJECTOR PLATE ASSEMBLY, SDUTY	\$111.16	25	
PT100-0550	INJECTOR PLATE DUAL TUBE	\$85.05	NS	
PT100-0555	INJECTOR PLATE DUAL TUBE, GUARDED	\$128.34	NS	
PT100-0560	QUAD TUBE INJECTOR PLATE	\$148.51	NS	
PT100-0600	MOUNTING STRAP	\$6.00	28	
PT100-0700	SPINDLE CAP	\$25.83	29	
PT100-0800	BACK GRATE FOR PROPTEC HEAD	\$185.22	30	
PT100-0900	PROPTEC SHROUD	\$149.00	31	
PT100-0904	PROPTEC SHROUD QTR	\$40.00	NS	
PT100-0905	PROPTEC SHROUD TRADE-UP KIT	\$75.00	31	
PT100-1000	SS U MOUNT BAIL	\$56.46	32	
PT100-1010	L STYLE BAIL	\$74.88	33	
PT100-1100	2" BOOM MOUNT BRACKET, SS	\$56.37	34	
PT100-1101	3" BOOM MOUNT BRACKET KIT	\$74.99	35	
PT100-1112	UNPAINTED BOOM MT BRACKET	\$57.84	36	
PT100-1115	STR. BOOM BRACKET FOR 2" BAR	\$45.29	37	
PT100-1200	PROPTEC MOTOR, 2.8 CC	\$417.61	38	
PT100-1202	MOTOR SHAFT KEY	\$0.79	40	

PT100-1203	VITON SEAL KIT 2002 & OLDER	\$117.25	<b>41</b>	
PT100-1206	VITON SEAL KIT 2003 & NEWER	\$123.38	<b>43</b>	
PT100-1304	4 GPM FLOW RESTRICTOR	\$119.49	<b>44</b>	
PT100-1400	CLAMP BAR FOR MOUNTING STRAPS	\$5.78	<b>45</b>	
PT100-1500	FRONT GRATE LATCHES	\$44.10	<b>46</b>	
PT100-1503	LATCH PIN	\$5.32	<b>47</b>	
PT100-1504	ADJUSTMENT WRENCH FOR LATCH	\$4.75	<b>48</b>	
PT100-1505	LATCH ASSEMBLY KIT	\$14.00	<b>49</b>	
PT100-1700	FRONT GRATE, COMPLETE	\$181.36	<b>50</b>	
PT100-1750	FRONT GRATE, PT101	\$142.00	<b>NS</b>	
PT100-1900	DANGER STICKERS	\$3.93	<b>51</b>	
PT100-1901	PT100 LABEL STICKERS	\$3.90	<b>52</b>	
PT100-2100	BOLT AND FITTING KIT	\$17.75	<b>53</b>	
PT100-2101	GAROLITE FRICTION DISK	\$7.32	<b>54</b>	
PT100-2200	BLADE PITCHING TOOL	\$13.85	<b>55</b>	
PT100-2300	PT101 STANDOFF SPACER	\$4.69	<b>NS</b>	
PT200-0100	MOTOR MOUNT FOR PT200	\$177.59	<b>56</b>	
PT200-0200	PENGUIN 12 MESH BASKET	\$327.18	<b>57</b>	
PT200-0230	PENGUIN 30 MESH BASKET	\$327.18	<b>58</b>	
PT200-0300	SS SPINDLE FOR PT200	\$152.92	<b>59</b>	
PT200-0400	SS SPINDLE CLAMP FOR PT200	\$28.27	<b>60</b>	
PT200-0500	PT200 INJECTOR PLATE	\$75.46	<b>61</b>	
PT200-0600	MOTOR SHAFT KEY FOR PT200	\$5.31	<b>62</b>	
PT200-1200	PENGUIN MOTOR, 1 HP	\$487.50	<b>63</b>	
PT200-2400	NEOPRENE ISO-MOUNT	\$16.71	<b>64</b>	
YF-JM08-JFX08-GP6	RUN TEE FOR PLUMBING 50 HEADS	\$11.69	<b>NS</b>	

[Back to price summary](#)

TOTAL Spare Parts \$ -





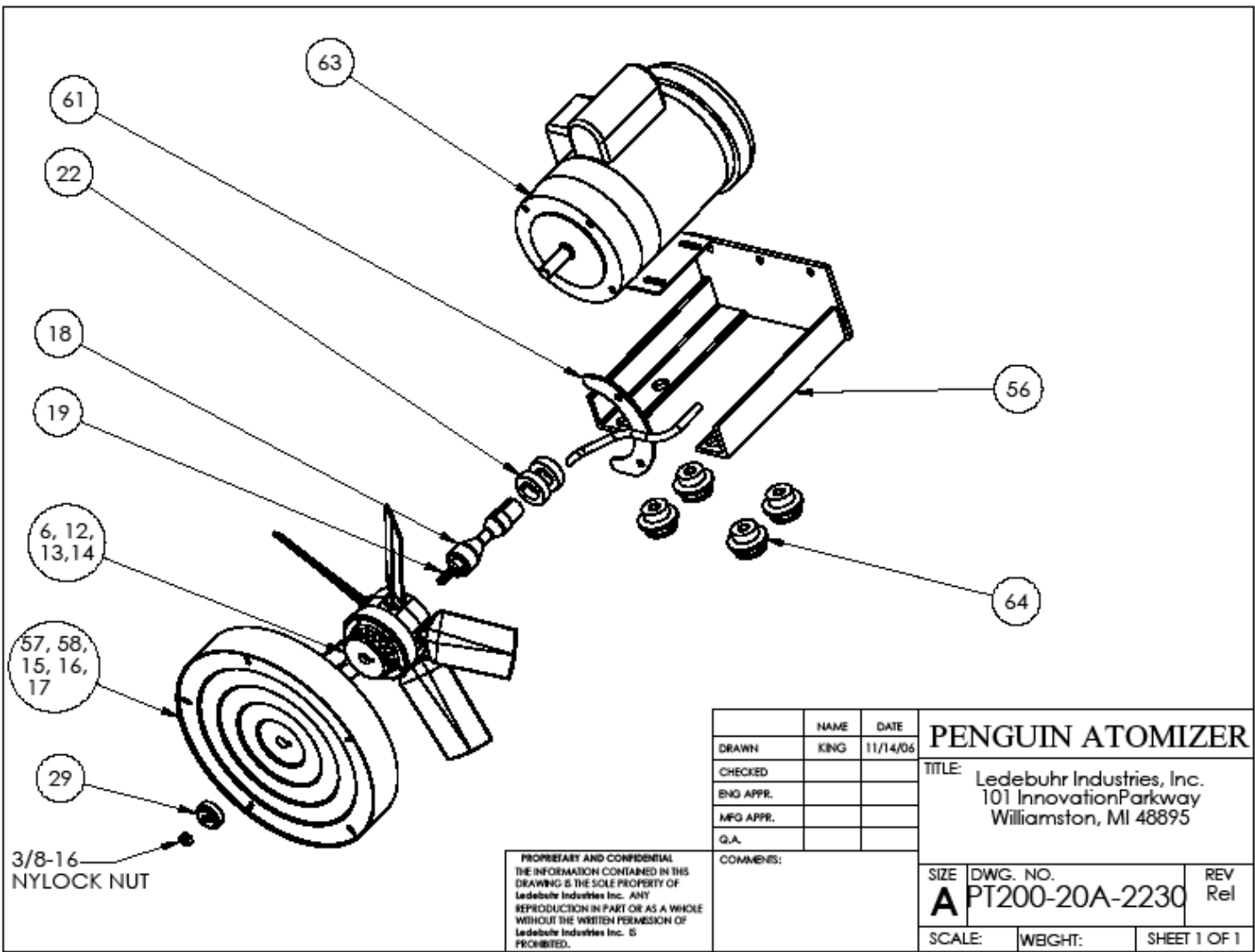
	NAME	DATE
DRAWN	KING	11/14/06
CHECKED		
ENG APPR.		
MFG APPR.		
G.A.		
COMMENTS:		

**PROPTEC ATOMIZER**

Ledebuhr Industries, Inc.  
 101 Innovation Parkway  
 Williamston, MI 48895  
 www.propotec.com

SIZE	DWG. NO.	REV
<b>A</b>	PT050, PT100	Rel
SCALE:	WGHT:	SHEET 1 OF 1

**PROPRIETARY AND CONFIDENTIAL**  
 THE INFORMATION CONTAINED IN THIS DRAWING IS THE SOLE PROPERTY OF Ledebuhr Industries Inc. ANY REPRODUCTION IN PART OR AS A WHOLE WITHOUT THE WRITTEN PERMISSION OF Ledebuhr Industries Inc. IS PROHIBITED.



	NAME	DATE	<b>PENGUIN ATOMIZER</b>	
DRAWN	KING	11/14/06	TITLE: Ledebuhr Industries, Inc. 101 InnovationParkway Williamston, MI 48895	
CHECKED			SIZE DWG. NO. REV	
ENG APPR.			<b>A</b> PT200-20A-2230 Rel	
MFG APPR.			SCALE: WEIGHT: SHEET 1 OF 1	
G.A.				
COMMENTS:				

PROPRIETARY AND CONFIDENTIAL  
 THE INFORMATION CONTAINED IN THIS  
 DRAWING IS THE SOLE PROPERTY OF  
 Ledebuhr Industries Inc. ANY  
 REPRODUCTION IN PART OR AS A WHOLE  
 WITHOUT THE WRITTEN PERMISSION OF  
 Ledebuhr Industries Inc. IS  
 PROHIBITED.

3/8-16  
 NYLOCK NUT

5 4 3 2 1